

OUTSTANDING AFTER SALES FOR CAREFREE MOTORING

More than 2500 Mitsubishi Motors Authorised Service Points in Europe are committed to helping you wherever you are.

PROFESSIONAL SERVICING

Even new cars require regular maintenance and servicing. Not just to guarantee your mobility, but also for the safety of you and your passengers. Trained professionals using specialist diagnostic equipment and original parts at your Mitsubishi Authorised Service Point are ready to oblige. You'll be advised about the cost beforehand, so there will be no unpleasant surprises when you return to pick up your vehicle.

MITSUBISHI MOTORS GENUINE PARTS

Even the smallest technical faults can lead to accidents. Therefore, all Mitsubishi Motors genuine parts have been developed and tested to stringent quality standards. It is recommended to use Mitsubishi Motors Genuine Parts in order to maintain the safety and integrity of your vehicle and that of your passengers. Mitsubishi Motors Genuine Parts are available at all Mitsubishi Authorized Service Points. We are proud to regularly score top in After Sales quality surveys.

COMPREHENSIVE WARRANTY – OBVIOUSLY

All new Mitsubishi vehicles come standard with a comprehensive 3-year warranty up to a maximum of 100,000 km (61,000 miles), whichever comes first. The anti-corrosion perforation warranty covers rusting through for the first 12 years, depending on the model you purchase. The reliability statistics for Mitsubishi vehicles are impeccable, but in the unlikely event that you do need help, we offer MAP.

Mitsubishi Motors Europe BV
www.mitsubishi-motors-europe.com

Some equipment may vary according to market.

Please consult your local Mitsubishi Motors dealer/distributor for details. All rights reserved.



MAP – FREE BREAKDOWN ASSISTANCE

In order to demonstrate our commitment to your mobility and the faith we have in the reliability of our vehicles, you will receive a free MAP card valid for three years with your new Mitsubishi. MAP stands for Mitsubishi Motors Assistance Package, and with the MAP card in your pocket, your mobility is guaranteed in more than 30 countries throughout Europe. Should you ever need assistance in the event of breakdown, accident, theft or vandalism – wherever you are, 24 hours a day, 7 days a week – just call the number on your card and the problem will be fixed on the spot. If it's more serious, your car will be taken to the nearest Mitsubishi dealer and you'll be offered services such as a hotel, continuation of journey, a replacement car and vehicle repatriation. And if you continue to have your vehicle serviced at a Mitsubishi Authorised Service Point after the first three years, your mobility will be guaranteed for an additional year or up to the next service interval (whichever comes first) until your vehicle is 10 years old.

DRIVESTYLE

Accessories by Mitsubishi Motors - everything's got "Drivestyle". They are the perfect products for your car's individuality. It's the style that goes with the sensation. Drivestyle is the individual enhancement of your Mitsubishi. It covers all your car care needs: From Wax Shampoo and Polish to Wheel Rim Gel, from Cockpit Lotion to Leather Treatment and from Insect Remover to Screen Wash - all have been produced using new ingredients designed specifically for your new Mitsubishi. They'll ensure it looks, feels and smells brand new for years to come.

Please ask your Mitsubishi Authorised Sales/Service point for the Drivestyle Car Care brochure containing more detailed information.

RECYCLING OF OLD VEHICLES

It is our duty to protect the environment. Mitsubishi Motors designs and produces high quality vehicles and components aiming to provide its customers with durable motor vehicles, and excellent services to maintain your vehicle in an optimum running condition. We have the highest respect for the environment and use materials which may be recycled and re-used after your Mitsubishi Motors vehicle has come to the end of its economical life. After a long working life we will take your vehicle back and recycle it in an environmentally friendly manner in accordance with the EU Directive on End-of-Life Vehicles and any applicable national statutory provisions.

All Mitsubishi Motors vehicles (up to 3.5t GVW) sold after 1st July 2002, will be taken back free of charge from the last owner, at one of the designated take back points, provided the vehicle contains all major components and is free of waste. From 1st January 2007, this applies to all Mitsubishi Motors vehicles irrespective of the sold date. A network of collection points is available to receive

Mitsubishi Motors End-of-Life Vehicles, to ensure your vehicle will be recycled in an environmentally friendly manner. At the same time, the possibilities for the recycling of vehicles and vehicle components are continually being evaluated and improved, aiming to the achievement of even higher recycling percentages in the future.

The European End-of-Life Vehicles Directive and the free take back of End-of-Life Vehicles is applicable in all European Union member states. The transposition of the End-of-Life Vehicles Directive into National law in each member state might not have been completed at the time of putting this publication to print.

Please refer to www.mitsubishi-motors-euro.com and select the web site of the Mitsubishi Motors service network in your country of residence, or call the National Mitsubishi Motors Customer Assistance Center for further details.

08 eng-in 000000 June 07 Printed in Belgium



DRIVE ALIVE

COLT CZC
THE COUPÉ-CABRIOLET



CHOOSING THE EQUIPMENT LEVEL

INFORM



INVITE



INSTYLE



TURBO



Key features

- Radio/CD
- 15" alloy wheels
- Front fog lamps
- Black leather steering wheel and shift knob
- Audio remote control
- Energetic Orange or Lounge Grey fabric seats



Key features

- Radio/CD with MP3 player
- 16" alloy wheels
- Front fog lamps
- Black leather steering wheel and shift knob
- Audio remote control
- Energetic Orange or Lounge Grey fabric seats
- Air-conditioner
- MASC (Mitsubishi Active Stability Control) incl. MATC (Mitsubishi Active Traction Control)



Key features

- Radio/CD with MP3 player
- 16" alloy wheels
- Front fog lamps
- Terracotta Leather or Athletic Leather* interior (seats, steering wheel and shift knob)
- Audio remote control
- Air-conditioner
- MASC (Mitsubishi Active Stability Control) incl. MATC (Mitsubishi Active Traction Control)
- Sporty seat shape for Athletic Leather* seats
- Front seat heating

*Seat material is partial leather



Key features

- Radio/CD with MP3 player
- Sporty 16" alloy wheels
- Front fog lamps
- Athletic Leather* interior (seats, steering wheel and shift knob)
- Audio remote control
- Air-conditioner
- MASC (Mitsubishi Active Stability Control) incl. MATC (Mitsubishi Active Traction Control)
- Sporty seat shape
- Front seat heating
- Turbo engine with engine cover
- Sports suspension



- 15" front disc brakes
- Side airdam
- Unique sports muffler
- Sporty front grille
- Sporty interior accents

*Seat material is partial leather

CHOOSING THE EXTERIOR COLOUR

URBAN SILVER (M)



Lounge Grey



Terracotta Leather



Athletic Leather*

SUNSET BEIGE (M)



Energetic Orange



Terracotta Leather

ORIENTAL ORANGE (P)



Energetic Orange



Terracotta Leather



Athletic Leather*

CARMIN RED (M)



Lounge Grey



Athletic Leather*

OCEAN BLUE (P)



Lounge Grey



Athletic Leather*

RACE BLUE (P)



Lounge Grey



Athletic Leather*

*Seat material is partial leather

ESPRESSO BLACK (S)



Energetic Orange



Terracotta Leather



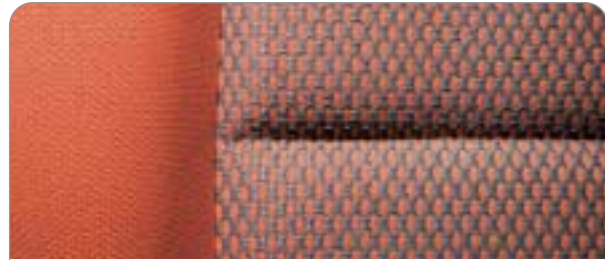
Athletic Leather*

Model		INFORM/INVITE		INSTYLE		TURBO
		Energetic Orange	Lounge Grey	Terracotta Leather	Athletic Leather*	Athletic Leather*
Door and instrument panel inserts		Grey		Black		Black
Interior trim		Dark Grey		Dark Grey		Dark Grey
Exterior colour						
1 Urban Silver (M)	A40	-	■	■	■	■
2 Sunset Beige (M)	S29	■	-	■	-	-
3 Oriental Orange (P)	M06	■	-	■	-	■
4 Carmin Red (M)	P33	-	■	-	■	■
5 Ocean Blue (P)	T98	-	■	-	■	-
6 Race Blue (P)	T99	-	■	-	■	■
7 Espresso Black (S)	X32	■	-	■	■	■

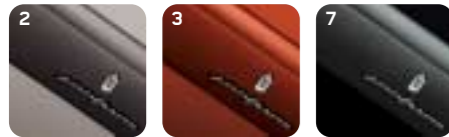
The colours and materials shown are approximate and may differ slightly from the actual colours.

■ Available - Not available (M) Metallic (P) Mica / Pearl (S) Solid

CHOOSING THE SEAT MATERIAL



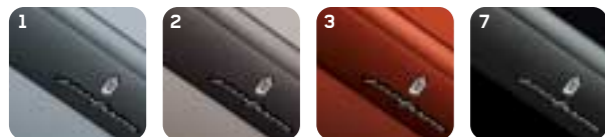
Energetic Orange



Lounge Grey



Terracotta Leather



Athletic Leather*



Exterior colour

- 1 Urban Silver (M)
- 2 Sunset Beige (M)
- 3 Oriental Orange (P)
- 4 Carmin Red (M)
- 5 Ocean Blue (P)
- 6 Race Blue (P)
- 7 Espresso Black (S)

*Partial leather
 **Turbo version only
 ***Instyle version only

The colours and materials shown are approximate and may differ slightly from the actual colours.

STANDARD AND OPTIONAL EQUIPMENT

■ Standard ○ Optional - Not available

Model		INFORM	INVITE	INSTYLE	TURBO
Safety and Security	Anti-lock Braking System (ABS) with Electronic Brake-force Distribution (EBD)	■	■	■	■
	Driver's front SRS airbag	■	■	■	■
	Passenger airbag with switch-off function	■	■	■	■
	Front side airbags	■	■	■	■
	Mitsubishi Active Stability Control (MASC) incl. Mitsubishi Active Traction Control (MATC)	-	■	■	■
	High mount stop lamp on tailgate	■	■	■	■
	Electronic immobiliser	■	■	■	■
	Front door impact bars	■	■	■	■
	Side turning lamp with clear lens on fender	■	■	■	■
	Seat belt reminder (driver and front passenger)	■	■	■	■
	Brake fluid level sensor and warning indicator	■	■	■	■
	Door ajar warning lamp	■	■	■	■
	Fire retardant materials	■	■	■	■
	Exterior	Semi-automatic retractable hardtop	■	■	■
Rear combination lamps		■	■	■	■
Mitsubishi badge and "Colt CZC" badge on rear		■	■	■	-
Mitsubishi badge and sporty "Colt CZC" badge on rear		-	-	-	-
Chrome three-diamond mark on front and rear		■	■	■	■
Pininfarina badge on side protector mouldings		■	■	■	■
15" alloy wheel (with 195/50R15 82H tyre)		■	-	-	-
16" alloy wheel (with 205/45R16 83H tyre)		-	■	■	-
Sporty 16" alloy wheel (with 205/45R16 83W tyre)		-	-	-	■
Colour-keyed bumpers (front and rear)		■	■	■	■
Sporty front bumper		-	-	-	■
Bumper protectors and side protector mouldings accentuated in body colour variation		■	■	■	■
Colour-keyed side airdam		-	-	-	■
Black front airdam extension		■	■	■	■
Colour-keyed door mirrors and outer door handles		■	■	■	■
Sports muffler		-	-	-	■
Exhaust finisher		■	■	■	-
Pole antenna on front roof		■	■	■	■
Clear halogen headlamps with silver extension		■	■	■	-
Clear halogen headlamps with darkened extension		-	-	-	■
Metallic / Mica / Pearl paint	○	○	○	○	
Interior	Black leather steering wheel and shift knob	■	■	-	-
	Leather steering wheel and shift knob matching the seat material	-	-	■	■
	Floor console with cupholders (2 front / 1 rear)	■	■	■	■
	LCD trip meter (twin type changeable)	■	■	■	■
	Multi-centre display (with clock, temperature indicator, vehicle and audio information)	■	■	■	■
	Front (moulded) door pockets	■	■	■	■
	Formed type door trim with grained inserts	■	■	■	■
	Silver interior door handles	■	■	■	■
	Entrance plate labelled "Colt CZC"	-	-	-	■
	Scuff plate	■	■	■	■
	Aluminium pedals (clutch, brake and acceleration)	-	-	-	■
	Silver parking brake switch	-	-	-	■
	Accessory socket (12V)	■	■	■	■



STANDARD AND OPTIONAL EQUIPMENT

■ Standard - Not available

Model		INFORM	INVITE	INSTYLE	TURBO
Comfort	Electric power steering (rack and pinion steering system)	■	■	■	■
	Air-conditioner (semi-automatic with cooled glove box)	-	■	■	■
	Remote centre door lock	■	■	■	■
	Power window and roof operation switches	■	■	■	■
	Front power windows with one-touch and anti-trap functionality	■	■	■	■
	Micro switch on tailgate	■	■	■	■
	Tilt steering column	■	■	■	■
	Glove box with pen holder	■	■	■	■
	Foot rest	■	■	■	■
Audio and Communication	Radio LW/MW/FM and CD player	■	■	■	■
	MP3 functionality for Radio/CD	-	■	■	■
	Audio remote control	■	■	■	■
	6 speakers (front, rear and tweeter)	■	■	■	■
	Navigation pre-wiring	■	■	■	■
Light and Visibility	Windshield with sunshade and laminated windshield glass	■	■	■	■
	UV cut glass and green glass for all windows	■	■	■	■
	Intermittent (variable) windshield wipers and washers	■	■	■	■
	Front fog lamps	■	■	■	■
	Rear fog lamp	■	■	■	■
	Headlamp levelling device	■	■	■	■
	Inside rear view mirror (day-night and adhesive type)	■	■	■	■
	Door mirrors electric and heated with aspheric type for driver's side	■	■	■	■
	Driver's and front passenger's sun visors with vanity mirrors and ticket holder for driver's side	■	■	■	■
	Tailgate window glass with hot wire (and timer)	■	■	■	■
	Room lamp with map lamp	■	■	■	■
	Switch illumination for power windows on driver's side	■	■	■	■
	Seats	Full fabric seats	■	■	-
Full leather seats		-	-	■	-
Partial leather seats with sporty seat shape		-	-	■	■
Front seat heating		-	-	■	■
Sliding, reclining and height-adjustable front seats		■	■	■	■
Seat back pocket for front passenger's seat		-	-	-	■
Height-adjustable sewn headrests for front seats		■	■	■	■
3-point ELR seatbelt with force limiter and pretensioners for front seats		■	■	■	■
3-point ELR/ALR seatbelt for rear seats		■	■	■	■
2 rear seats	■	■	■	■	
Others	Sports suspension	-	-	-	■
	Tyre repair kit	■	■	■	■
	12 years anti-corrosion	■	■	■	■
	Engine cover	-	-	-	■

PRODUCT HIGHLIGHTS



15" Alloy wheel



16" Alloy wheel



Audio remote control



Side airbags for front seats



Entrance plate



Sporty pedals



Leather steering wheel



Front seat heating



Normal seat shape



Sporty seat shape*



Cooled glove box



Sporty muffler

*Only on Athletic Leather, partial leather seats

TECHNICAL SPECIFICATIONS



	1.5 litre MIVEC DOHC 5 Speed Manual	1.5 litre MIVEC DOHC Intercooled Turbocharger 5 Speed Manual
INFORM	■	-
INVITE	■	-
INSTYLE	■	-
TURBO	-	■

Model	MPI	TURBO
Engine		
Emission level	EU STEP 4	EU STEP 4
Total displacement cc	1499	1468
Compression ratio	10.5	9
Max. output (EEC net) kW (Hp)/rpm	80(109)/6000	110(150)/6000
Max. torque (EEC net) Nm /rpm	145/4000	210/3500
Fuel system		
Fuel supply equipment	ECI-MULTI	ECI-MULTI
Fuel tank capacity lit.	47	47
Performance		
Acceleration (0-100 km/h) sec.	10.5	8.4
Max. speed* km/h	185	205
Minimum turning radius (wall to wall) m	5.4	5.4
Fuel consumption (litres/100km)		
Urban	8.7	8.9
Extra Urban	5.4	5.9
Combined	6.6	7.1
CO ₂ (g/km)		
Urban	206	212
Extra Urban	129	142
Combined	157	168

Model	MPI	TURBO
Steering		
Type	Rack-and-pinion (Electrical power assisted)	
Suspension		
Front	McPherson strut	McPherson strut
Rear	Torsion beam	Torsion beam
Brakes		
Front	14" ventilated-disc	15" ventilated-disc
Rear	14" disc	14" disc
Brake booster size	9" vacuum	9" vacuum
Dimensions and loads		
Kerb weight** kg	1110	1200
Inertia weight kg	1250	1250
Gross vehicle weight kg	1460	1530
Seating capacity persons	2+2	2+2
Cargo room volume (VDA) with open/closed roof dm ³	190/460	190/460
Roof operation		
Roof opening timing sec	22	22

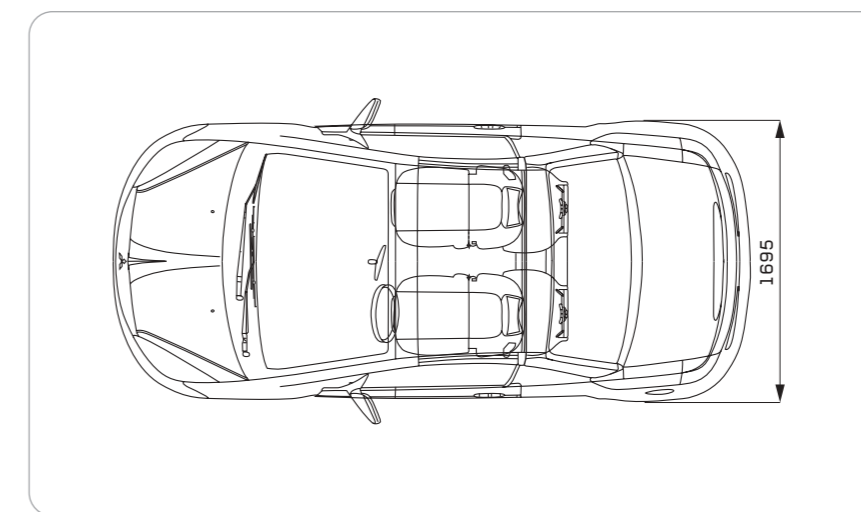
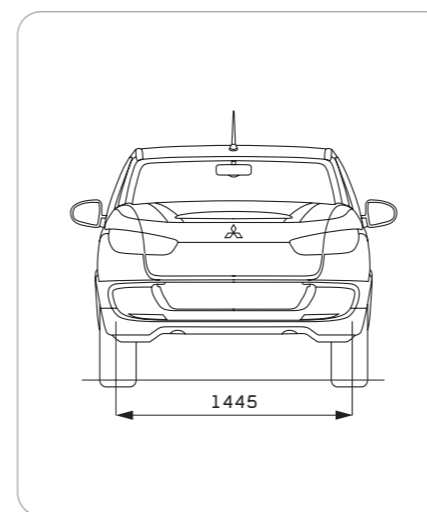
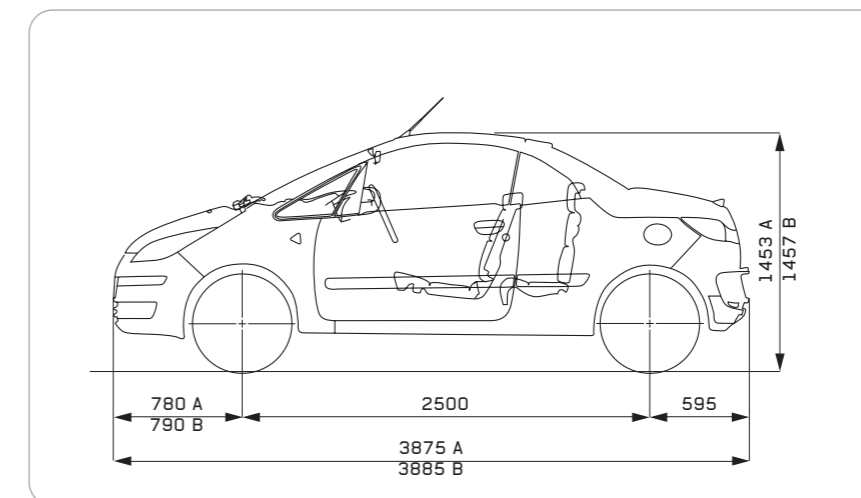
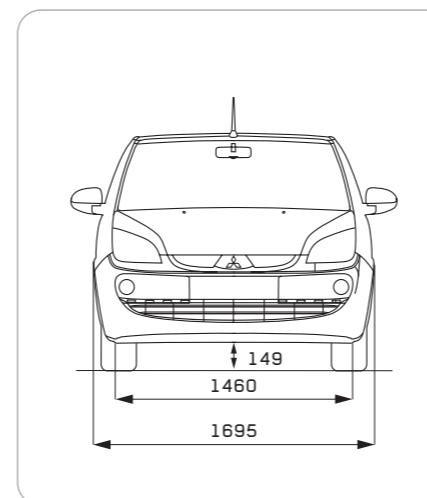
*Measured by Mitsubishi Motors Corporation

**Vehicle weight including all liquids, fuel tank filled up to 90%, tyre repair kit, but excluding driver (75kg)



DIMENSIONAL VIEWS

All measurements in millimetres Measurements A : MPI Measurements B : Turbo



DRIVE ALIVE IS OUR MOTTO.

It's the reason our designers and engineers go to work everyday. Statistics show that you are going to spend 'years of your life' in your car. We want those 'years' to be as pleasurable and as rewarding for you as possible. We want to ensure that every time you're driving and put your foot down on the accelerator, or catch a glimpse of yourself reflected... you will want to smile. Smile to really feel alive... to really drive alive.

Mitsubishi Motors Europe BV
www.mitsubishi-motors-europe.com

Some equipment may vary according to market.
Please consult your local Mitsubishi Motors dealer/distributor for details. All rights reserved.



DRIVE ALIVE

COLT CZC
THE COUPÉ-CABRIOLET



**IT'S NOT EVERYDAY THAT YOU DISCOVER A VAST NEW SENSE OF FREEDOM.
BUT IT COULD BE.**

To create the ultimate al fresco driving experience, Mitsubishi Motors joined forces with Pininfarina, Italy's most prestigious designers. Together they created the most dynamic coupé-cabriolet in its class.

The new Colt CZC will make the smallest of roads feel like a huge expanse.







THE INSIDE MAY BE VAST, BUT OUR DESIGNERS HAVEN'T OVERLOOKED THE SMALLEST OF DETAILS.

Everything from the heated leather seats to the audio remote control has been carefully designed with your comfort and driving pleasure in mind. The Colt CZC's curvaceous exterior design continues throughout the interior too with circular vents, controls and dials. The coupé-cabriolet also boasts electric and heated door mirrors, leather steering wheel and shift knob, power steering, height adjustable front seats and remote central door locking.





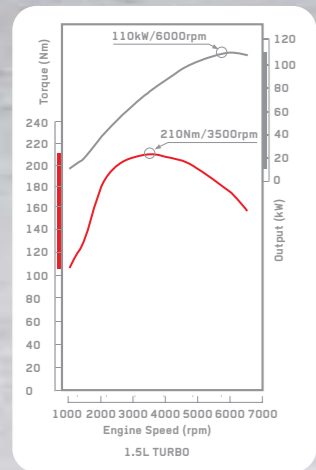
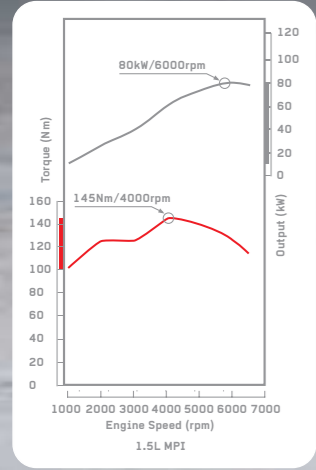
EVERY SINGLE CURVE OF ITS AESTHETIC SHAPE HAS BEEN DESIGNED TO BE OPENLY ADMIRERD.

The coupé-cabriolet's aerodynamic lines don't just look stylish, they're also home to lots of functional, practical, everyday features. Like the third stop lamp which integrates seamlessly into a rear spoiler for extra visibility, or the aesthetically designed 'A' pillar which not only enhances the safety and aerodynamics of the Colt CZC, it also creates more head room and keeps wind intrusion to a minimum.





THE FASTEST FREE SPIRIT ON THE OPEN ROAD.
Put your foot down on the sports pedal and set the 150hp Turbo engine free. After all, that's what makes the Colt C2C the most dynamic coupé-cabriolet in its class. Whether you're experiencing the exhilaration of the Turbo or MPI, the Colt C2C's aerodynamics will accelerate you towards freedom and the open road, instantly.



DISCOVER THE FREEDOM AND FUN OF ANY ROAD.

If you're manoeuvring the twists and turns of country lanes or snaking around busy city streets, the Colt CZC handles every road with the same sense of fun, spirit, stability and freedom. Especially the Turbo model with its stability and traction control, sports suspension and 15" front disc brakes ensures the ride is safe and the performance thrilling.



15" front disc brakes



16" alloy wheel



FEEL THE SUN ON YOUR FACE, THE WIND IN YOUR HAIR AND DRY IN THE POURING RAIN.

There's nothing like the sense of freedom and space you feel inside the coupé-cabriolet, whether the roof's open or shut. To shield from the elements, just press the easy-to-reach button and the semi-automatic retractable hard top extends over you. Then, from the comfort of your seat simply lock the latches and enjoy the fact that even when you're inside you'll still feel like you're outdoors, only drier.



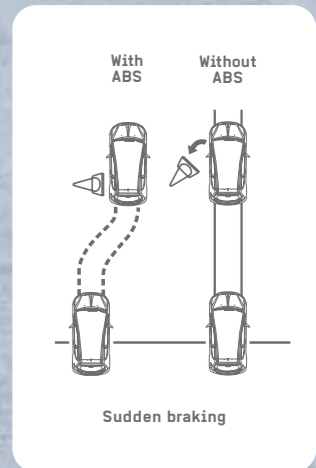
YOU'D BE FORGIVEN FOR THINKING THERE'S AS MUCH SPACE INSIDE AS THERE IS OUTSIDE.

No wonder it feels so spacious, the Colt CZC is after all higher, wider and has a longer wheelbase than most of its competitors. Even with the roof down, you can easily pack quite a few bags into the trunk. That's not all. Two extra seats give others the opportunity to enjoy the thrill of the ride too.



SPECIFICALLY DESIGNED NOT JUST FOR YOUR SAFETY, BUT EVERYONE ELSE'S AS WELL. WHETHER THEY'RE IN THE CAR OR NOT.

Pedestrians and other road users will appreciate the Colt CZC's ABS with Electronic Brake-force Distribution, just as much as you when you need to brake quickly. The stability and traction control provides you with extra grip and the stabilizer bar ensures better handling. The windshield sunshade gives you improved visibility especially on sunny days. There's also front and side airbags for driver and passenger to keep you safe in an emergency. The higher than average 'A' pillar withstands the weight of the car, providing extra head protection. All of this makes the Colt CZC one of the safest places to be.





WHAT YOU GET FOR THE PRICE, IS AS MUCH OF A SURPRISE AS THE SPACE YOU'LL DISCOVER INSIDE.

Packed with so many practical details and designs, the Colt CZC is full of surprises. Just some of its features include 16" alloy wheels, front fog lamps, coloured bumper protectors and side protector mouldings, electric and heated door mirrors and air-conditioner. Even with all of its space, you would never have expected to find everything it has got inside.



Air-conditioner



Glove box with bottle cooler



Audio remote control



Electric door mirror



Seat height adjuster

CALL YOUR DEALER TODAY FOR A TEST DRIVE AND DISCOVER A NEW SENSE OF FREEDOM, EVERYDAY.

The Colt CZC offers so much. In both the Turbo and MPI you'll experience thrilling performance, boundless space, unlimited freedom, stunning aesthetics, breath-taking speed, uncompromised safety, immense power and unrivalled value for money. So don't wait any longer, call your local dealer today for a test drive.



Wind deflector



Silver-coloured combimeter rings (standard on Turbo)



Bluetooth pad



Child safety seat Duo Plus (isofix)*



Standard switch-off function for passenger front airbag



Front airdam (MPI only) / Upper sports grille



Side skirts (standard on Turbo) / Side garnish



Tailgate garnish

WHY NOT STOP AND PICK UP A FEW ACCESSORIES.

The sense of freedom you'll feel in the Colt CZC is amazing. You can experience it now; the freedom to create your personal, individual space and the freedom to choose your very own accessories. For more accessories available, please feel free to look at the Accessories catalogue.

*Please check the Colt CZC owner manual before installing a child seat